

Note:

Materials:

.Insulator: Black high temperature plastics U194 V-0

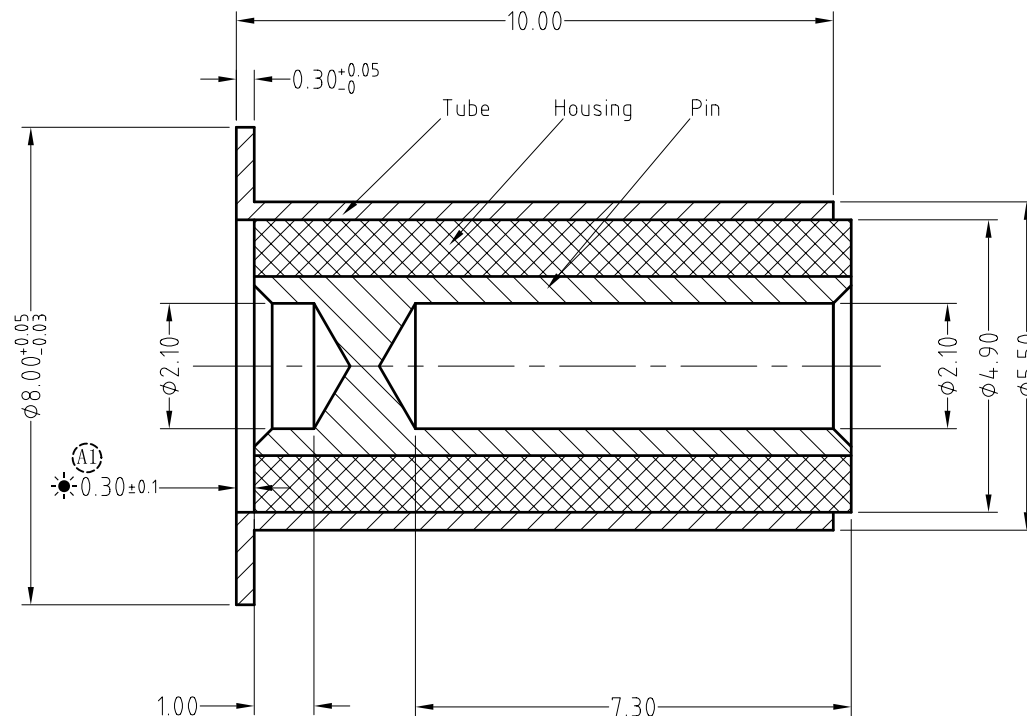
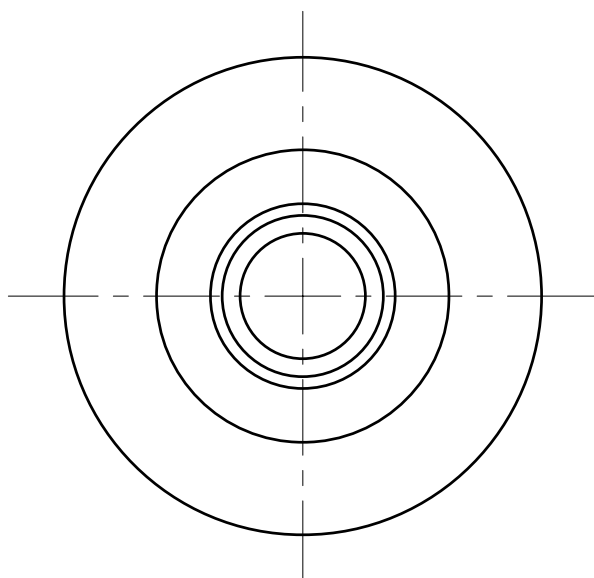
.Tube: Brass plating Ni

.Pin: Brass 1u" Au over 50u" Ni

To ensure the best usage, please operate it based on the working height.
Based on the engineering drawings, shall not exceed the maximum allowed compression.



Approve Sign



| BOM | | | |
|------|------------------|-----|--|
| Part | NO. | Qty | |
| CONN | BF01211-01000H02 | 1 | |
| Tube | B012-E1100 | 1 | |

| ECN(DCN) NO. | REV | DATE | DESCRIPTION |
|--------------|-----|------------|-------------|
| | A1 | 2015.11.03 | 修改胶芯装配尺寸 |
| | A0 | 2013.11.09 | NEW |

| | | | | | |
|--|-------|---------|--|---|---------------|
| SCALE | 10:1 | UNIT:mm | THIS DOCUMENT IS THE SOLE PROPERTY OF CFE CORPORATION CO.,LTD., AND SHOULD NOT BE USED IN WHOLE OR IN PART WITHOUT PRIOR WRITTEN PERMISSION. | 东莞市川富电子有限公司 CFE CORPORATION CO.,LTD. | |
| ANGEL | ±1° | A4 | | | |
| 0~6 | ±0.05 | | | | SHEET: 1 of 1 |
| 6~30 | ±0.10 | DRAW | | | PART NO. |
| 30~120 | ±0.15 | CHECK | FILE NAME | BF01211 | |
| GENERAL TOLERANCE UNLESS OTHERWISE NOTED | APPRO | | TITLE. | Pogo pin connector | |