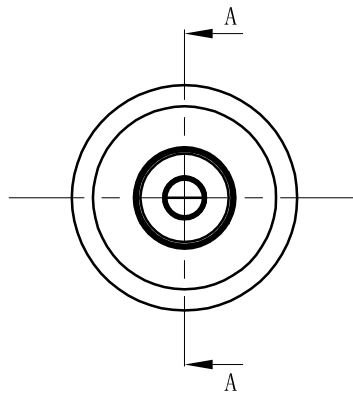
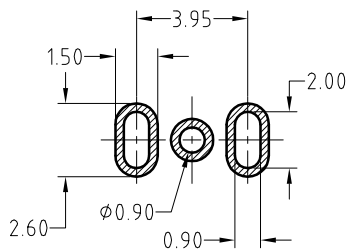
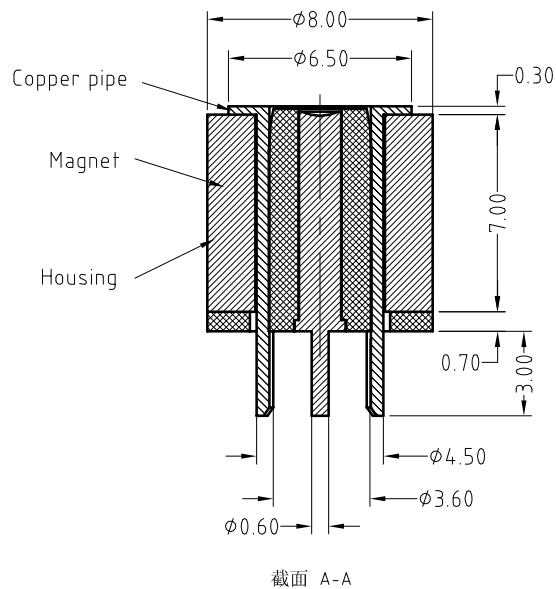
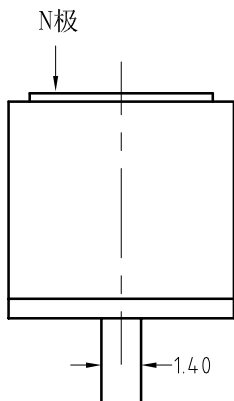


Note:
 Materials:
 .Insulator: Black high temperature plastics UI94 V-0
 .Pin: Brass 0.25um Au over Ni
 .Copper pipe: Brass plating Ni
 .Magnet: NdFeB
 Electrical:
 .Rated current & voltage: DC 12V; 5A
 .Contact resistance: 50 milliohm Max.
 专利号: ZL201420146582. X

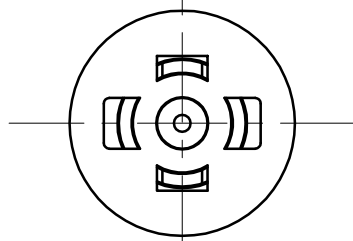



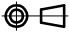
Approve Sign

BOM		
Part	NO.	Qty
Pogo pin	B606-W3010	1
Pipe	B606-W3100	1
Magnet	B606-M3100	1
Housing	B606-H3000	1



Recommended pcb layout
 layout tolerance: ±0.05mm



SCALE	10:1	UNIT:mm	THIS DOCUMENT IS THE SOLE PROPERTY OF CFE CORPORATION CO.,LTD., AND SHOULD NOT BE USED IN WHOLE OR IN PART WITHOUT PRIOR WRITTEN PERMISSION.	 东莞市川富电子有限公司 CFE CORPORATION CO.,LTD.	
ANGEL	±1°	A4			
0~6	±0.05		SHEET: 1 of 1	PART NO.	M-BP60661-01000H0G
6~30	±0.10	DRAW		FILE NAME	BP606XX
30~150	±0.15	CHECK		TITLE.	Pogo pin connector
GENERAL TOLERANCE UNLESS OTHERWISE NOTED		APPRO			

_____	D0	2016.10.08	NEW
ECN(DCN) NO.	REV	DATE	DESCRIPTION