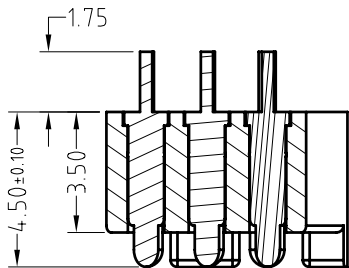


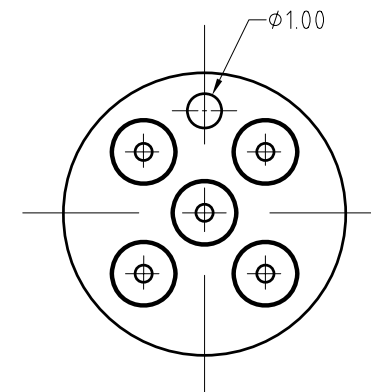
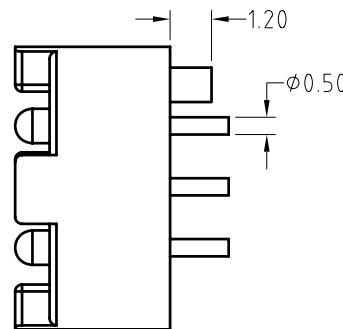
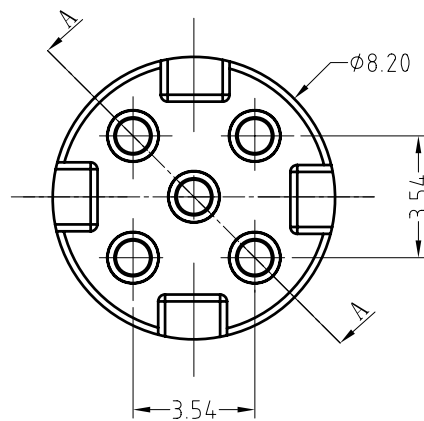
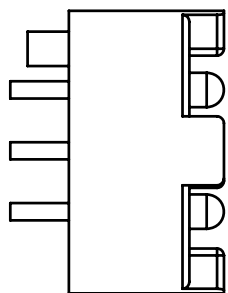
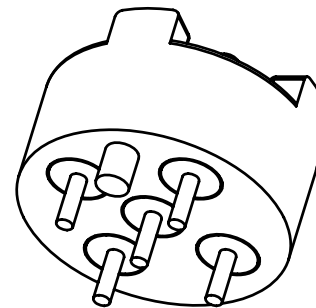
Note:<注意>
 Mechanical:<机械性能>
 .Contact force: 50g±20g at 0.70mm working stroke
 <接触弹力: 50g±20g在0.70mm的工作行程>
 .Life test: 20,000 cycles
 <寿命: 20000次>
 Electrical:<电气性能>
 .Rated current & voltage: DC 12V, 1A
 <额定电压, 电流: DC 12V, 1A>
 .Contact resistance: 50 milliohm Max.
 <接触阻抗: 50 milliohm Max.>
 100% open & short test.
 <100%导通,短路测试>



Approve Sign



剖面 A-A



序号 <NO.>	规格 <Specification>	料号 <P/N>	数量 <Qty>
2	Pogo Pin plating 0.25um Au <弹簧针 表面镀金 10U">	BP51711	5
1	Black high temperature plastics UI94 V-0 <黑色高温塑胶 UI94 V-0>	B517-H1000	1

SCALE	10:1	UNIT:mm	THIS DOCUMENT IS THE SOLE PROPERTY OF CFE CORPORATION CO.,LTD., AND SHOULD NOT BE USED IN WHOLE OR IN PART WITHOUT PRIOR WRITTEN PERMISSION.	东莞市川富电子有限公司 CFE CORPORATION CO.,LTD.	
ANGEL	±2°	A4			
0~6	±0.10		SHEET: 1 of 1	PART NO.	BP51711-05354M0A
6~30	±0.20	DRAW		FILE NAME	BP517XX
30~150	±0.30	CHECK		TITLE	Pogo pin Connector
GENERAL TOLERANCE UNLESS OTHERWISE NOTED		APPRO			

_____	A0	2016.04.13	NEW
ECN(DCN) NO.	REV	DATE	DESCRIPTION