

Note:<注意>

Mechanical:<机械性能>

.Contact force: 70g±20g at 1.0mm working stroke

<接触弹力: 70g±20g在1.0mm的工作行程>

.Full stroke:1.40mm

<最大行程: 1.40mm>

.Life test: 20,000 cycles

<寿命: 20000次>

Electrical:<电气性能>

.Rated current & voltage: DC 12V, 2A

<额定电压, 电流: DC 12V, 2A>

.Contact resistance: 50 milliohm Max.

<接触阻抗: 50 milliohm Max.>

100% open & short test.

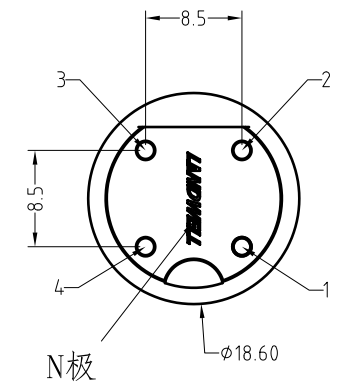
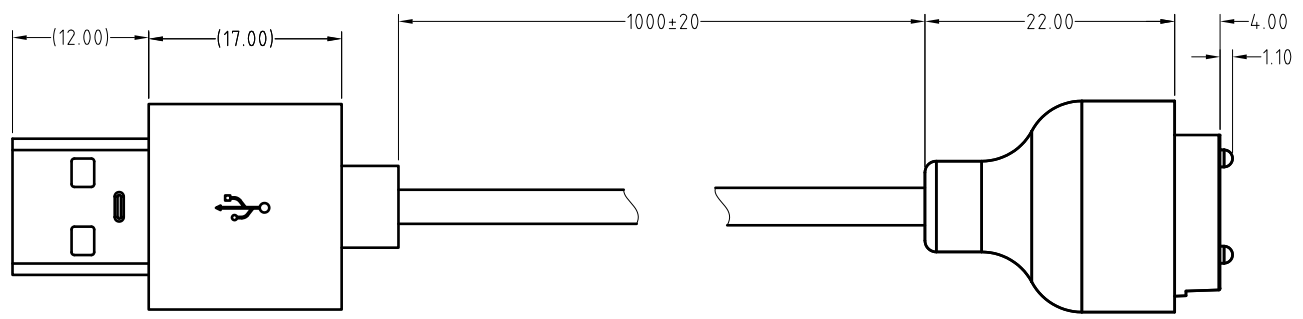
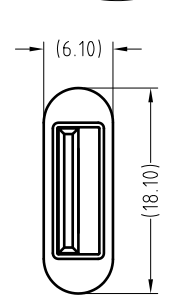
<100%导通,短路测试>

Pogo pin conn



Approve Sign

USB



USB→Pogo pin conn
1_Vcc_1
2_D-_2
3_D+_3
4_GND_4

SCALE	10:1	UNIT:mm	THIS DOCUMENT IS THE SOLE PROPERTY OF CFE CORPORATION CO.,LTD., AND SHOULD NOT BE USED IN WHOLE OR IN PART WITHOUT PRIOR WRITTEN PERMISSION.	
ANGEL	±1°	A4		
0~6	±0.10			SHEET: 1 of 1
6~30	±0.20	DRAW		
30~150	±0.30	CHECK		
GENERAL TOLERANCE UNLESS OTHERWISE NOTED		APPRO		

CFE 东莞市川富电子有限公司
CFE CORPORATION CO.,LTD.

PART NO.	CM-BP42611-04850H0C
FILE NAME	BP426XX
TITLE.	Magnetic Cable Connector

_____	D1	2015.09.08	修改塑胶外形
_____	D0	2015.07.14	NEW
ECN(DCN) NO.	REV	DATE	DESCRIPTION