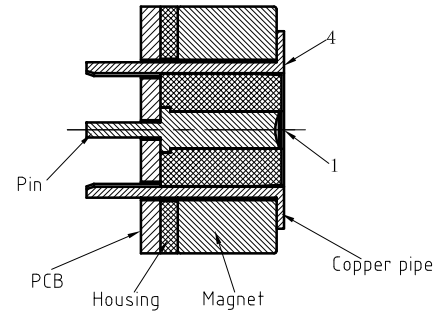
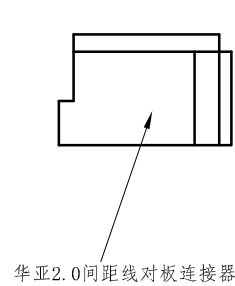
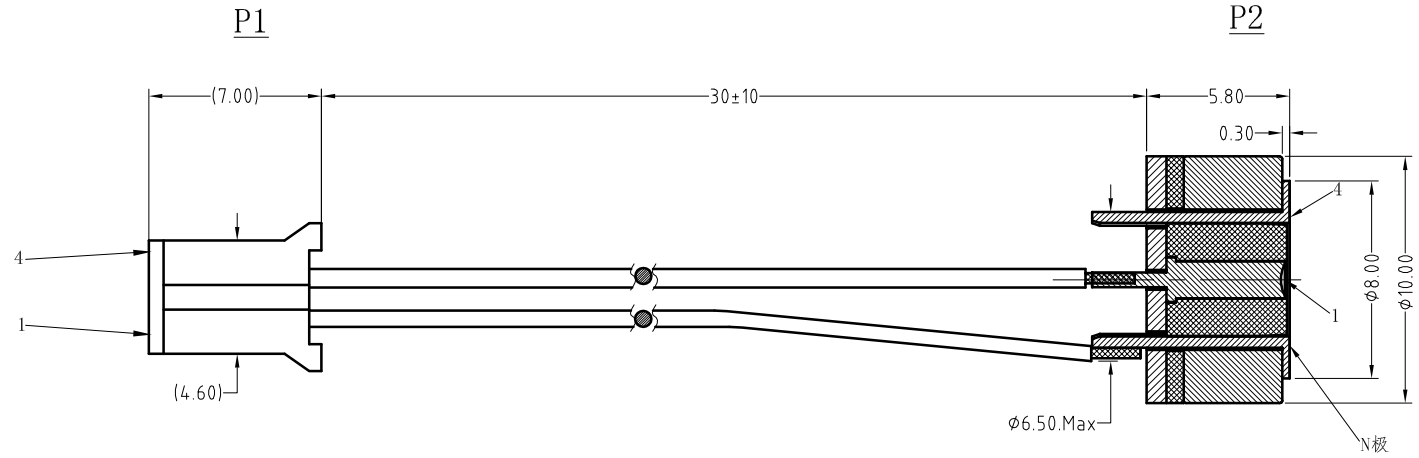


Note: <注意>
 Mechanical: <机械性能>
 .Life test: 20,000 cycles
 <寿命: 20000次>
 Electrical: <电气性能>
 .Rated current & voltage: DC 12V, 2A Max.
 <额定电压, 电流: DC 12V, 2A>
 .Contact resistance: 50 milliohm Max.
 <接触阻抗: 50 milliohm Max.>
 100% open & short test.
 <100%导通, 短路测试>
 专利号: ZL201420146582.X



Approve Sign



Packaging Label:

Article NO: CM-BP71322-01000H0E
 Article: Magnetic Cable Connector
 B. Braun (Material number): TBD
 Production Batch: TBD
 Quantity: TBD

USB→wire→CONN
 Vcc_1- Red — — 1
 GND_4-Black — — 4

2	Magnetic Connector <磁铁接头>	M-BP14202-01000H0B	1
1	2Pin TERMINAL <2Pin 带线端子>	B713-E1000	1
序号 (NO.)	规格 (Specification)	料号 (P/N)	数量 (Qty)

SCALE	10:1	UNIT:mm	THIS DOCUMENT IS THE SOLE PROPERTY OF CFE CORPORATION CO.,LTD., AND SHOULD NOT BE USED IN WHOLE OR IN PART WITHOUT PRIOR WRITTEN PERMISSION.
ANGEL	±2°	A4	
0~6	±0.10		
6~30	±0.20	DRAW	SHEET: 1 of 1
30~150	±0.30	CHECK	
GENERAL TOLERANCE UNLESS OTHERWISE NOTED		APPRO	

CFE 东莞市川富电子有限公司
 CFE CORPORATION CO.,LTD.

	D1	2017.06.27	增加PCB板
	D0	2017.04.11	NEW
ECN(DCN) NO.	REV	DATE	DESCRIPTION

PART NO.	CM-BP71322-01000H0E
FILE NAME	BP713XX
TITLE	Magnetic Cable Connector