

Note:

Materials:

.Insulator: Black high temperature plastics UL94 V-0

.Plunger: Brass 0.25um Au over Ni

.Barrel: Brass 0.125um Au over Ni

.Spring: SUS Au

.Copper pipe: Brass plating Ni

.Magnet: NdFeB

Mechanical:

.Contact force: 80g±20g at 1.1mm working stroke

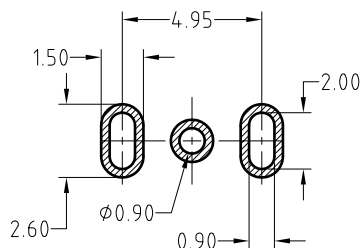
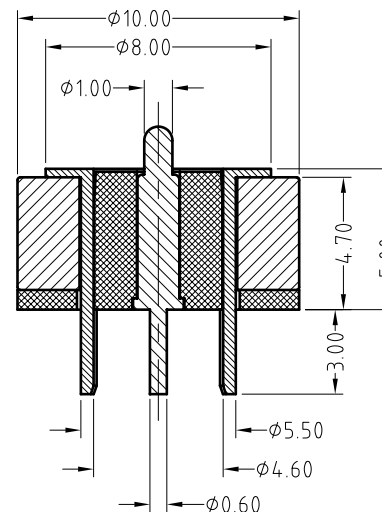
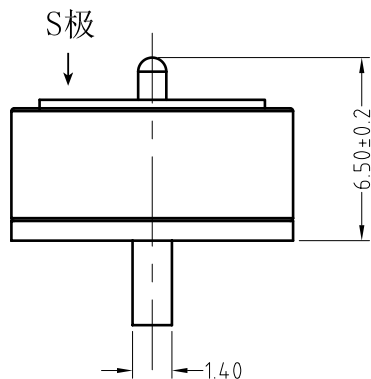
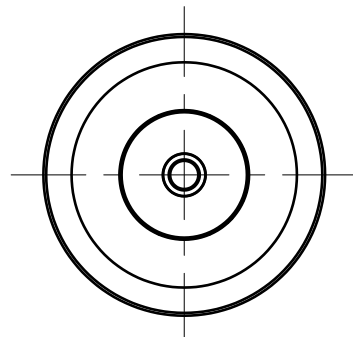
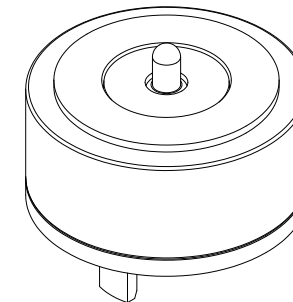
.Full stroke: 1.6mm

.Life test: 20,000 cycles

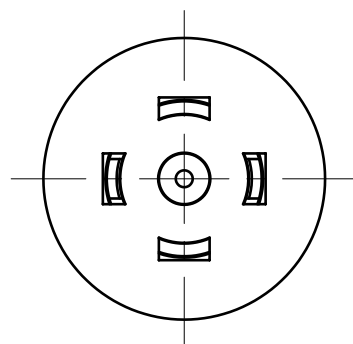
Electrical:

.Rated current & voltage: DC 12V; 5A Max.

.Contact resistance: 50 milliohm Max.



Recommended pcb layout
layout tolerance: ±0.05mm



SCALE	10:1	UNIT:mm	THIS DOCUMENT IS THE SOLE PROPERTY OF CFE CORPORATION CO.,LTD., AND SHOULD NOT BE USED IN WHOLE OR IN PART WITHOUT PRIOR WRITTEN PERMISSION.	
ANGEL	±1°	A4	SHEET: 1 of 1	
0~6	±0.05			
6~30	±0.10	DRAW	PART NO.	M-BP14.211-01000H0B
30~150	±0.15	CHECK	FILE NAME	BP142XX
GENERAL TOLERANCE UNLESS OTHERWISE NOTED	APPRO		TITLE.	Pogo pin connector

CFE 东莞市川富电子有限公司
CFE CORPORATION CO.,LTD.

ECN(DCN) NO.	A0	2014.11.18	NEW
REV	DATE	DESCRIPTION	