

Note:<注意>

Materials:<材料>

.Insulator: Black plastics UL94 V-0

<胶芯: 黑色塑胶UL94 V-0>

.Pin: Brass 0.25um Au over Ni

<Pin针: 黄铜表面镀金0.25um, 底层镀镍>

.Nickel alloy: Iron-nickel alloy <合金: 铁镍合金>

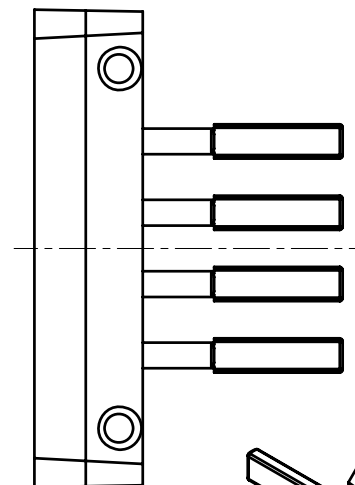
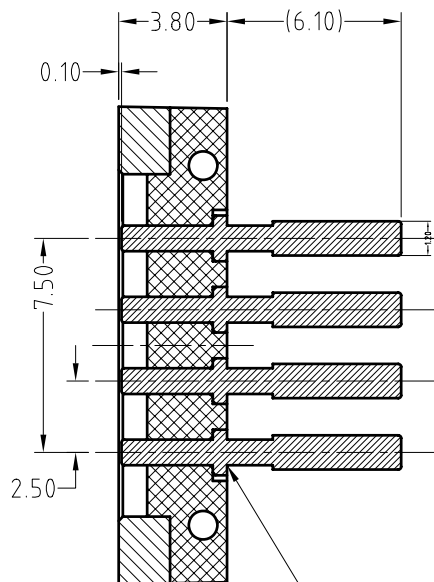
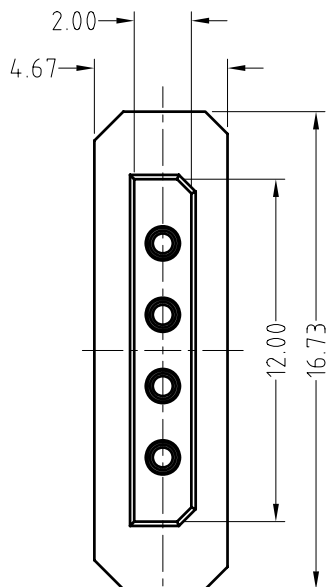
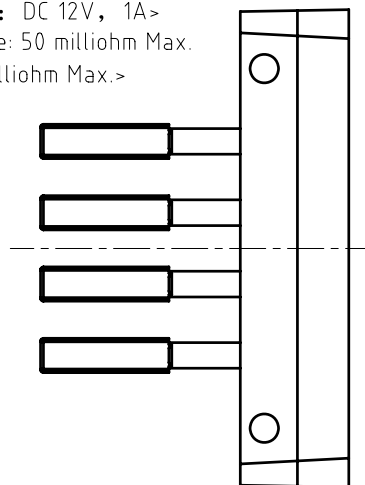
Electrical:<电气性能>

.Rated current & voltage: DC 12V, 1A

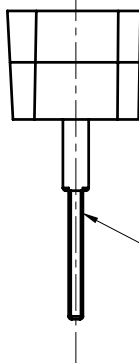
<额定电压, 电流: DC 12V, 1A>

.Contact resistance: 50 milliohm Max.

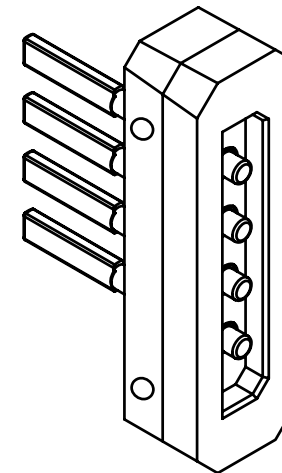
<接触阻抗: 50 milliohm Max.>



After the fixed dispensing assembly in place
<组装到位后点胶固定>



Pin needle tail need to line up
<Pin针尾巴需排整齐>



SCALE	10:1	UNIT:mm	THIS DOCUMENT IS THE SOLE PROPERTY OF CFE CORPORATION CO.,LTD., AND SHOULD NOT BE USED IN WHOLE OR IN PART WITHOUT PRIOR WRITTEN PERMISSION.
ANGEL	±1°	A4	
0~6	±0.05		SHEET: 1 of 1
6~30	±0.10	DRAW	
30~150	±0.15	CHECK	
GENERAL TOLERANCE UNLESS OTHERWISE NOTED		APPRO	

CFE 东莞市川富电子有限公司
CFE CORPORATION CO.,LTD.

PART NO. M-BP27001-04250H0A

FILE NAME BP270XX

TITLE. Pogo pin connector

ECN(DCN) NO.	A0	2015.1.7	NEW
REV	DATE	DESCRIPTION	