

Note:<注意>

Electrical:<电气性能>

Rated current & voltage: DC 12V, 1A

<额定电压, 电流: DC 12V, 1A>

Contact resistance: 50 milliohm Max.

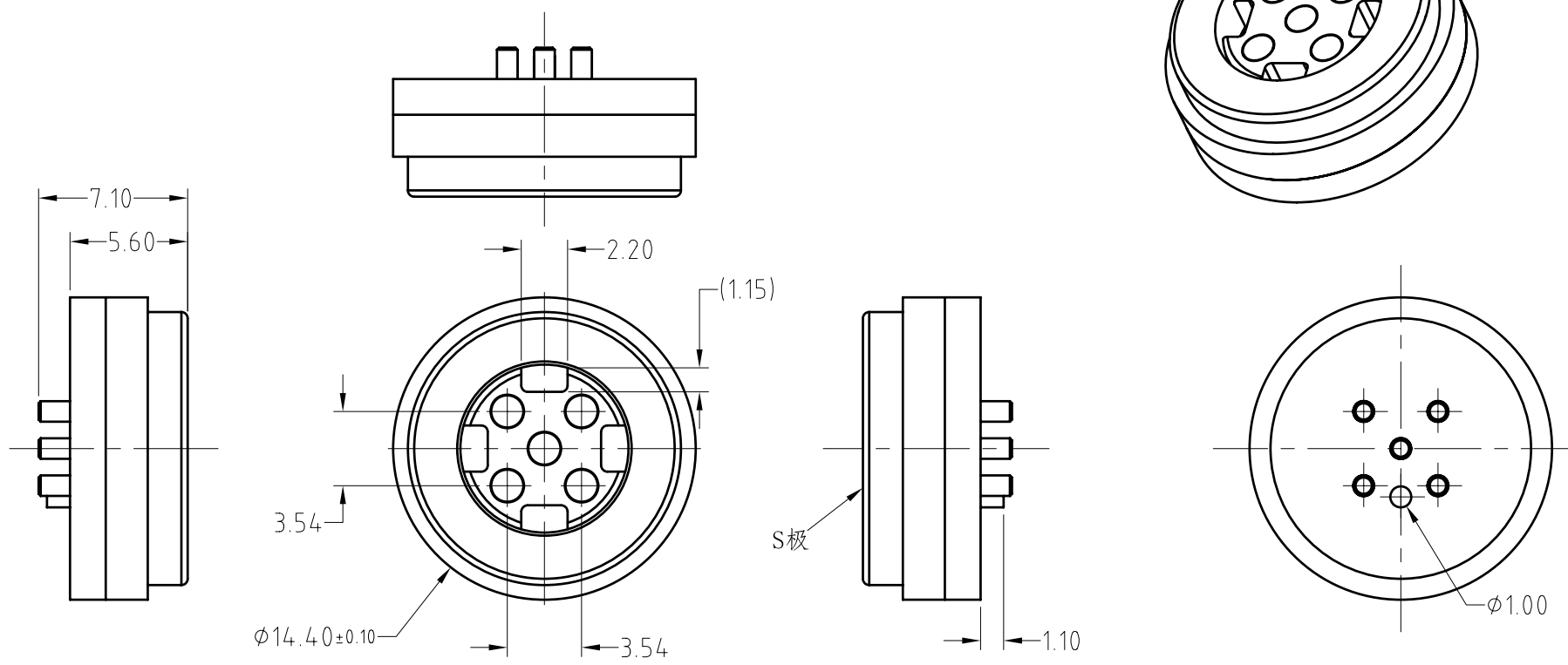
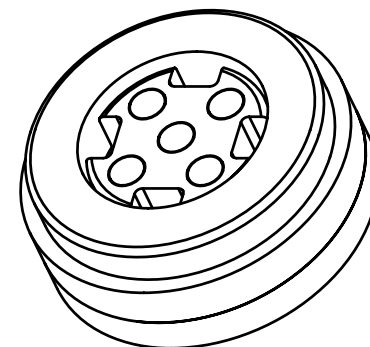
<接触阻抗: 50 milliohm Max.>

100% open & short test.

<100%导通,短路测试>



Approve Sign



序号 <NO.>	规格 <Specification>	料号 <P/N>	数量 <Qty>
3	Pin plating 0.25um Au <针 表面镀金 10U">	B517-W1110	5
2	N50 NdFeB Magnet plating Ni-Cu-Ni <N50 钕铁硼磁铁 表面镀镍铜镍>	B517-M2100	1
1	Black high temperature plastics UI94 V-0 <黑色高温塑胶 UI94 V-0>	B517-H2000	1

SCALE	10:1	UNIT:mm	THIS DOCUMENT IS THE SOLE PROPERTY OF CFE CORPORATION CO.,LTD., AND SHOULD NOT BE USED IN WHOLE OR IN PART WITHOUT PRIOR WRITTEN PERMISSION.
ANGEL	±2°	A4	
0~6	±0.10		SHEET: 1 of 1
6~30	±0.20	DRAW	
30~150	±0.30	CHECK	
GENERAL TOLERANCE UNLESS OTHERWISE NOTED		APPRO	

CFE 东莞市川富电子有限公司
CFE CORPORATION CO.,LTD.

_____	A0	2016.04.13	NEW
ECN(DCN) NO.	REV	DATE	DESCRIPTION

PART NO.	M-BP51711-05354M0B
FILE NAME	BP517XX
TITLE	Pogo pin Connector