

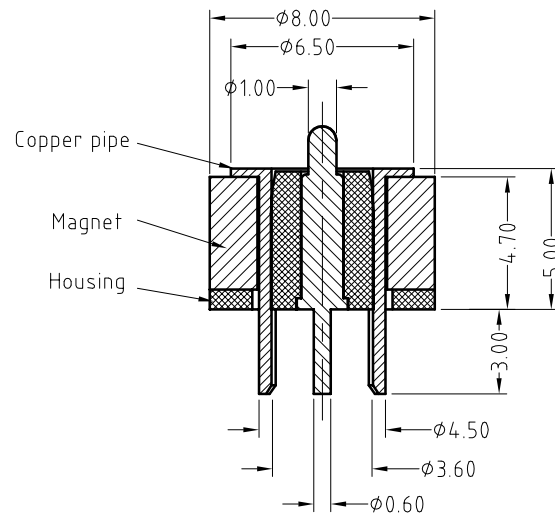
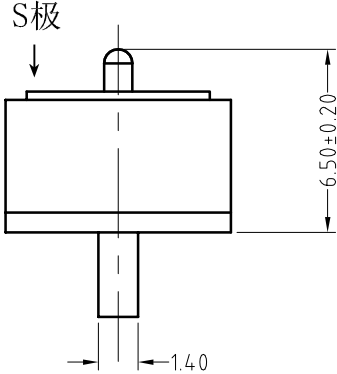
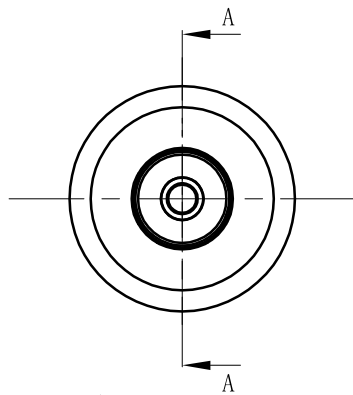
Note:  
 Materials:  
 Insulator: Black high temperature plastics UI94 V-0  
 Plunger: Brass 0.25um Au over Ni  
 Barrel: Brass 0.125um Au over Ni  
 Spring: SUS Au  
 Copper pipe: Brass plating Ni  
 Magnet: NdFeB

To ensure the best usage, please operate it based on the working height.  
 Based on the engineering drawings, shall not exceed the maximum allowed compression.

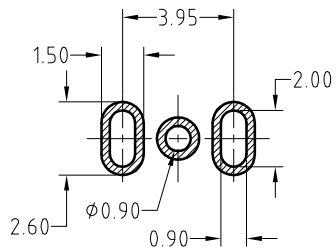
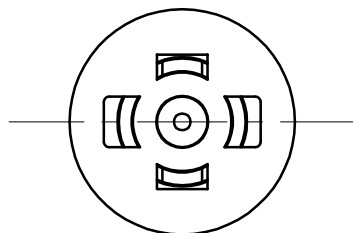
Mechanical:  
 Contact force: 80g±20g at 1.1mm working stroke  
 Full stroke: 1.6mm  
 Life test: 100,000 cycles

Electrical:  
 Rated current & voltage: DC 12V; 2A  
 Contact resistance: 50 milliohm Max.

专利号: ZL201420146582.X



截面 A-A



Recommended pcb layout  
 layout tolerance: ±0.05mm



BOM		
Part	NO.	Qty
Pogo pin	BP14.211	1
Pipe	B606-W1100	1
Magnet	B606-M1100	1
Housing	B606-H1000	1

SCALE	10:1	UNIT:mm	THIS DOCUMENT IS THE SOLE PROPERTY OF CFE CORPORATION CO.,LTD., AND SHOULD NOT BE USED IN WHOLE OR IN PART WITHOUT PRIOR WRITTEN PERMISSION.
ANGEL	±1°	A4	
0~6	±0.05		SHEET: 1 of 1
6~30	±0.10	DRAW	
30~150	±0.15	CHECK	
GENERAL TOLERANCE UNLESS OTHERWISE NOTED		APPRO	



PART NO. M-BP60631-01000H0C

FILE NAME BP606XX

TITLE. Pogo pin connector

_____	D0	2016.12.21	NEW
ECN(DCN) NO.	REV	DATE	DESCRIPTION