

Note:<注意>

Mechanical:<机械性能>

.Contact force: 40g±20g at 0.6mm working stroke

<接触弹力: 40g±20g在0.6mm的工作行程>

.Life test: 20,000 cycles <寿命: 20000次>

Electrical:<电气性能>

.Rated current & voltage: DC 5V, 1A

<额定电压, 电流: DC 5V, 1A>

.Contact resistance: 50 milliohm Max.

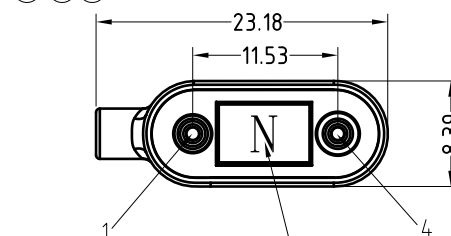
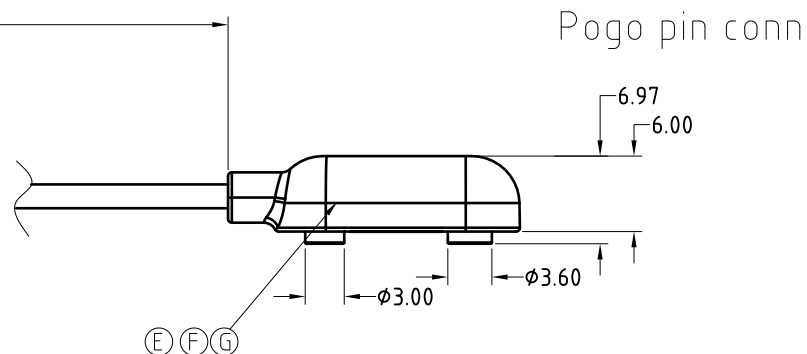
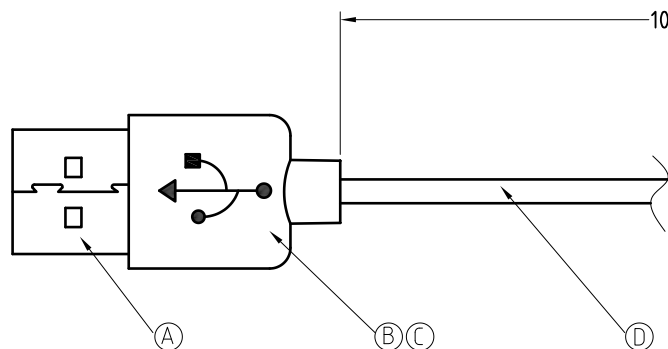
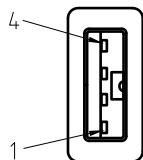
<接触阻抗: 50 milliohm Max.>

100% open & short test.

<100%导通,短路测试>



USB



N Docking magnet force 60g.
(N极 对接端吸附力为60g)

PIN OUTS

USB	Vcc	Pogo pin
1	—————	1
4	GND	4

SCALE	10:1	UNIT:mm	THIS DOCUMENT IS THE SOLE PROPERTY OF CFE CORPORATION CO.,LTD., AND SHOULD NOT BE USED IN WHOLE OR IN PART WITHOUT PRIOR WRITTEN PERMISSION.
ANGEL	±1°	A4	
0~6	±0.05		
6~30	±0.10	DRAW	
30~150	±0.15	CHECK	
GENERAL TOLERANCE UNLESS OTHERWISE NOTED		APPRO	

		东莞市川富电子有限公司 CFE CORPORATION CO.,LTD.	
PART NO.	CM-BP28211-02115H0A	FILE NAME	BP282XX
TITLE.	Pogo pin connector		

ECN(DCN) NO.	A0	2014.12.12	NEW
REV	DATE	DESCRIPTION	