

1

2

3

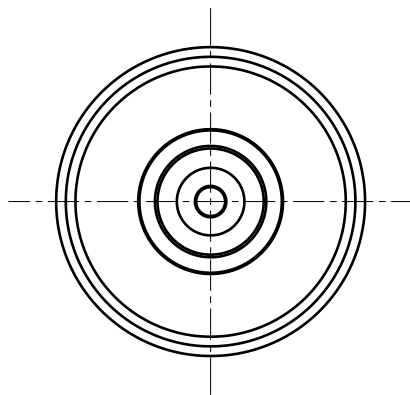
4

Note:
 Materials:
 .Insulator: Black high temperature plastics UI94 V-0
 .Pin: Brass 0.5um Au over Ni
 .Nickel alloy: Iron-nickel alloy 2.0 um Au over Ni
 .Rubber ring: rubber

Electrical:
 .Rated current & voltage: DC 12V; 1A
 .Contact resistance: 50 milliohm Max.

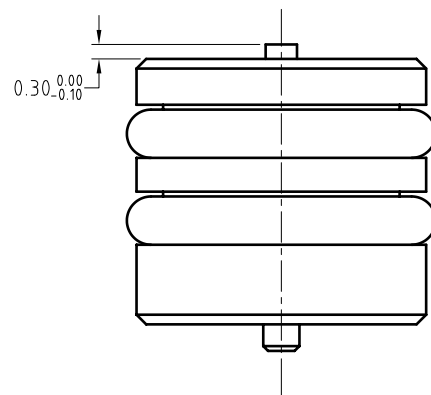
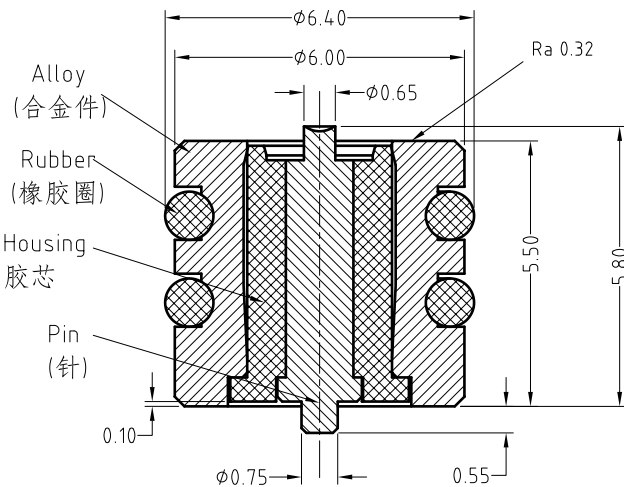
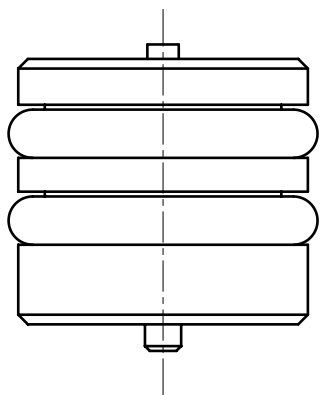
. 测试: 1. 碱性人汗: 100毫升无矿物质水, 5克氯化钠, 5克磷酸氢二钠, 检查并调整PH值为9.5;
 2. 酸性人汗: 碱性人汗液体加入约2毫升浓度99%的醋酸, 检查并调整PH值为4.7;
 最少样品数量: 7pcs, 每种汗液3pcs, 1PCS对比。
 测试时间: 48小时

A




Approve Sign

B



C

D

SCALE	10:1	UNIT:mm	THIS DOCUMENT IS THE SOLE PROPERTY OF CFE CORPORATION CO.,LTD., AND SHOULD NOT BE USED IN WHOLE OR IN PART WITHOUT PRIOR WRITTEN PERMISSION.	 东莞市川富电子有限公司 CFE CORPORATION CO.,LTD.	
ANGEL	±1°	A4			
0~6	±0.05		SHEET: 1 of 1	PART NO.	M-BP17901-01000H0G
6~30	±0.10	DRAW		FILE NAME	BP179XX
30~150	±0.15	CHECK		TITLE	Pogo pin connector
GENERAL TOLERANCE UNLESS OTHERWISE NOTED		APPRO			

ECN(DCN) NO.	A0	2015.10.12	NEW
REV	DATE	DESCRIPTION	