

Note:<注意>

Materials: <材料>

.Pin: Brass 0.25um Au over Ni

<PIN针: 黄铜, 表面镀金0.25um, 底层镀镍>

.Insulator: Black high temperature plastics UL94 V-0

<胶芯: 黑色耐高温塑料UL94 V-0>

.Sheet: SPCC Ni

<薄板: 冷轧板镀镍>

.Magnet: NdFeB Ni

<磁铁: 钕铁硼镀镍>

Electrical:<电气性能>

.Rated current & voltage: DC 12V; 2A

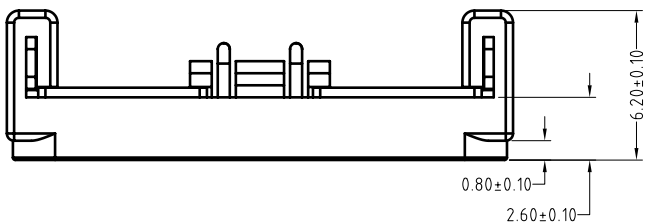
<额定电压, 电流: DC 12V, 2A>

.Contact resistance: 50 milliohm Max.

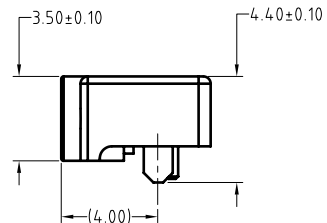
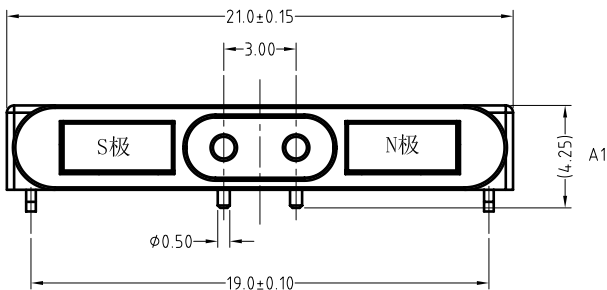
<接触阻抗: 50 milliohm 最大>



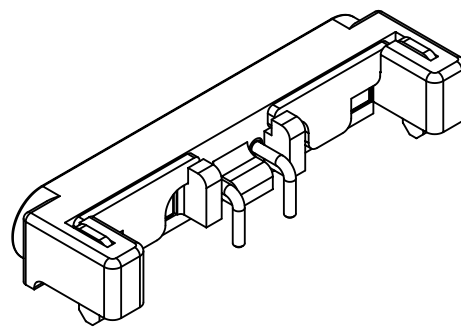
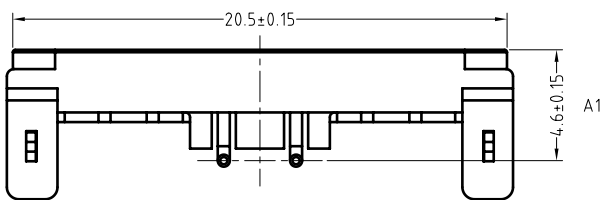
A



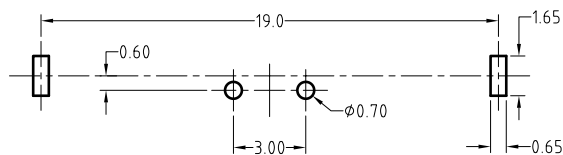
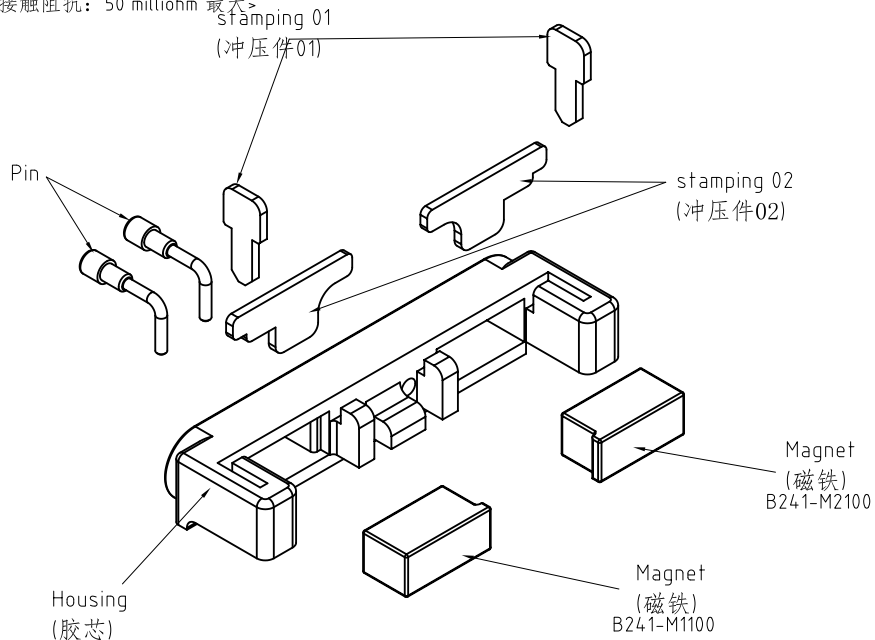
B



C



D



PCB layout

SCALE	10:1	UNIT:mm	THIS DOCUMENT IS THE SOLE PROPERTY OF CFE CORPORATION CO.,LTD., AND SHOULD NOT BE USED IN WHOLE OR IN PART WITHOUT PRIOR WRITTEN PERMISSION.
ANGEL	±1°	A4	
0~6	±0.05		SHEET: 1 of 1
6~30	±0.10	DRAW	
30~150	±0.15	CHECK	
GENERAL TOLERANCE UNLESS OTHERWISE NOTED		APPRO	



	A1	2015.07.07	增加尺寸
	A0	2014.11.20	NEW
ECN(DCN) NO.	REV	DATE	DESCRIPTION

PART NO.	M-BP24101-02300H0A
FILE NAME	BP241XX
TITLE.	Pogo pin connector