

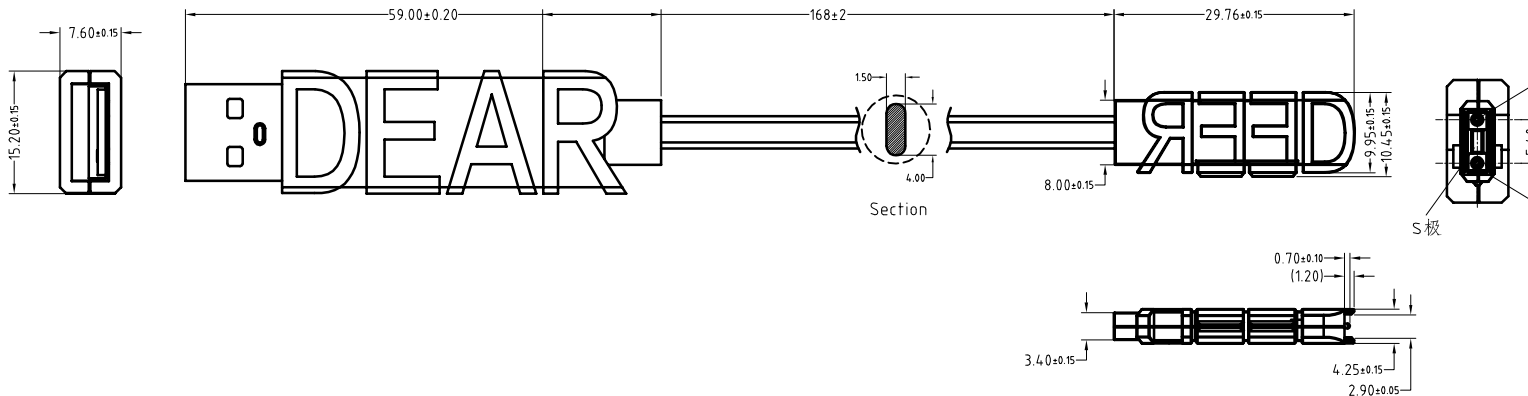
Note:<注意>
 Mechanical:<机械性能>
 .Contact force: 30g±10g at 0.6mm working stroke
 <接触弹力: 30g±10g在0.6mm的工作行程>
 .Full stroke: 1.0mm
 <最大行程: 1.0mm>
 .Life test: 50,000 cycles
 <寿命: 50000次>
 Electrical:<电气性能>
 .Rated current & voltage: DC 12V, 1A Max.
 <额定电压, 电流: DC 12V, 1A>
 .Contact resistance: 50 milliohm Max.
 <接触阻抗: 50 milliohm Max.>
 100% open & short test.
 <100% 导通, 短路测试>



Approve Sign

USB

CONN



case

USB--CONN	
Vcc_1	--- 1 Red
GND_4	--- 4 Blue

SCALE	10:1	UNIT:mm	THIS DOCUMENT IS THE SOLE PROPERTY OF CFE CORPORATION CO.,LTD., AND SHOULD NOT BE USED IN WHOLE OR IN PART WITHOUT PRIOR WRITTEN PERMISSION.	东莞市川富电子有限公司 CFE CORPORATION CO.,LTD.	
ANGEL	±2°	A4			
0~6	±0.10		SHEET: 1 of 1	PART NO.	CM-BP69311-02540H0A
6~30	±0.20	DRAW		FILE NAME	BP693XX
30~150	±0.30	CHECK		TITLE	Magnetic Cable Connector
GENERAL TOLERANCE UNLESS OTHERWISE NOTED		APPRO			

	D0	2016.06.17	NEW
ECN(DCN) NO.	REV	DATE	DESCRIPTION