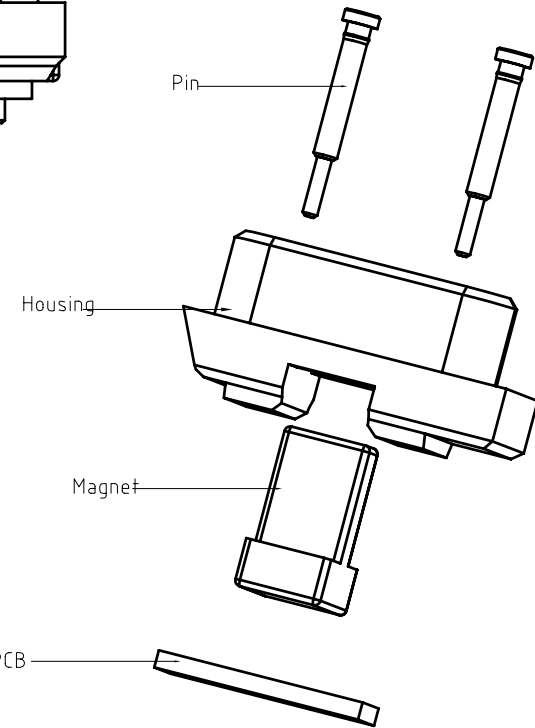
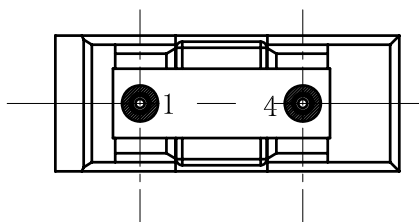
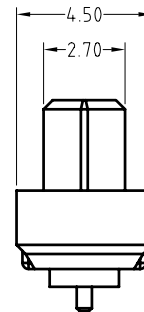
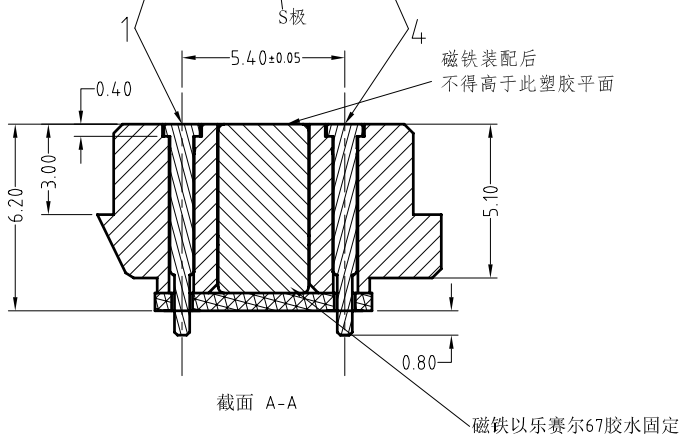
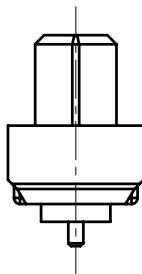
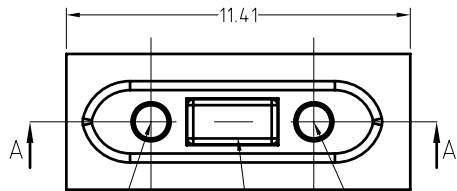


Note:<注意>
 Mechanical:<机械性能>
 .Contact force: 30g±10g at 0.6mm working stroke
 <接触弹力: 30g±10g在0.6mm的工作行程>
 .Full stroke:1.0mm
 <最大行程: 1.0mm>
 .Life test: 20,000 cycles
 <寿命: 20000次>
 Electrical:<电气性能>
 .Rated current & voltage: DC 12V, 1A
 <额定电压, 电流: DC 12V, 1A>
 .Contact resistance: 50 milliohm Max.
 <接触阻抗: 50 milliohm Max.>
 100% open & short test.
 <100%导通,短路测试>



Approve Sign



4	PCB polyester fiber board <PCB 聚酯纤维板>	B693-F2000	1
3	Pin plating 0.5um Au <针 电镀金0.5um >	B693-W1020	2
2	N52 NdFeB Magnet plating Ni-Cu-Ni <N52 钕铁硼磁铁 表面镀镍铜镍>	B693-M2100	1
1	Black HTN UL94 V-0 <黑色 HTN UL94 V-0>	B693-H7000	1
序号 <NO.>	规格 <Specification>	料号 <P/N>	数量 <Qty>

SCALE	10:1	UNIT:mm	THIS DOCUMENT IS THE SOLE PROPERTY OF CFE CORPORATION CO.,LTD., AND SHOULD NOT BE USED IN WHOLE OR IN PART WITHOUT PRIOR WRITTEN PERMISSION.
ANGEL	±2°	A4	
0~6	±0.10		SHEET: 1 of 1
6~30	±0.20	DRAW	
30~150	±0.30	CHECK	
GENERAL TOLERANCE UNLESS OTHERWISE NOTED		APPRO	

CFE 东莞市川富电子有限公司
 CFE CORPORATION CO.,LTD.

PART NO. M-BP69321-02540H0B

FILE NAME BP693XX

TITLE. Pogo pin Connector

ECN(DCN) NO.	A0	2016.09.02	NEW
REV	DATE	DESCRIPTION	