

Note:

Materials:

- .Insulator: Black high temperature plastics UL94 V-0
- .Plunger: Brass 0.25um Au over Ni
- .Barrel: Brass 0.125um Au over Ni
- .Spring: SUS Au
- .Copper pipe: Brass plating Ni
- .Magnet: NdFeB

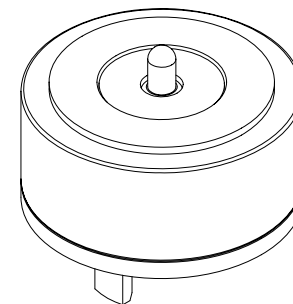
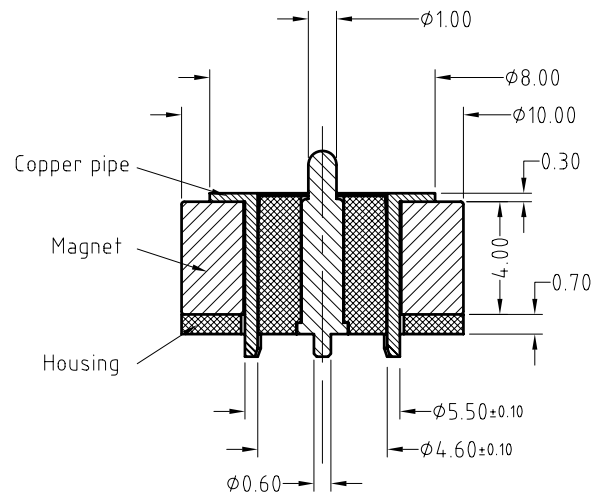
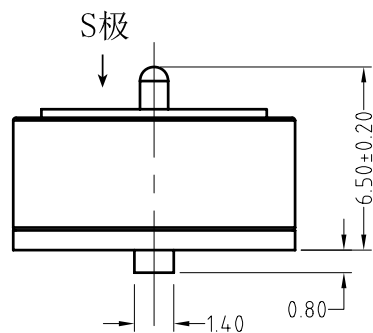
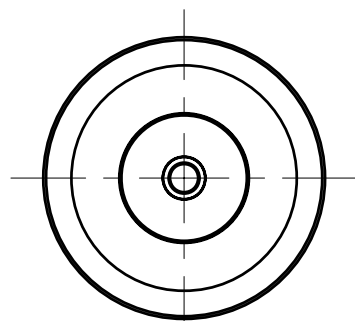
Mechanical:

- .Contact force: 80g±20g at 1.1mm working stroke
- .Full stroke: 1.6mm
- .Life test: 100,000 cycles

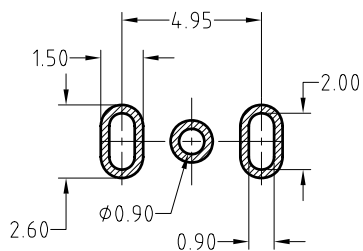
Electrical:

- .Rated current & voltage: DC 12V; 5A Max.
- .Contact resistance: 50 milliohm Max.

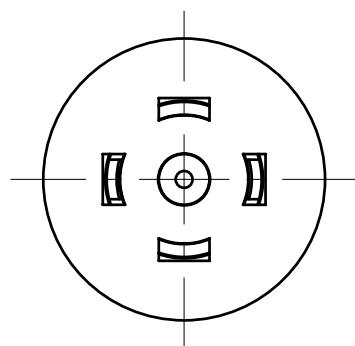
To ensure the best usage, please operate it based on the working height.  
Based on the engineering drawings, shall not exceed the maximum allowed compression.





BOM		
Part	NO.	Qty
Pogo pin	BP81311	1
Pipe	B813-C1100	1
Magnet	B142-M8100	1
Housing	01000-H03	1



Recommended pcb layout  
layout tolerance: ±0.05mm



SCALE	10:1	UNIT:mm	THIS DOCUMENT IS THE SOLE PROPERTY OF CFE CORPORATION CO.,LTD., AND SHOULD NOT BE USED IN WHOLE OR IN PART WITHOUT PRIOR WRITTEN PERMISSION.	 东莞市川富电子有限公司 CFE CORPORATION CO.,LTD.	
ANGEL	±1°	A4			
0~6	±0.05		SHEET: 1 of 1	PART NO.	M-BP81301-01000H0A
6~30	±0.10	DRAW		FILE NAME	BP813XX
30~150	±0.15	CHECK		TITLE.	Pogo pin connector
GENERAL TOLERANCE UNLESS OTHERWISE NOTED		APPRO			

ECN(DCN) NO.	REV	DATE	DESCRIPTION
	A0	2017.01.12	NEW