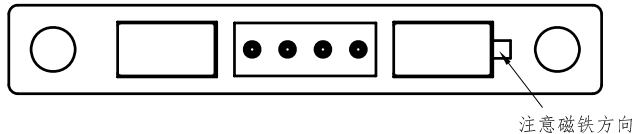
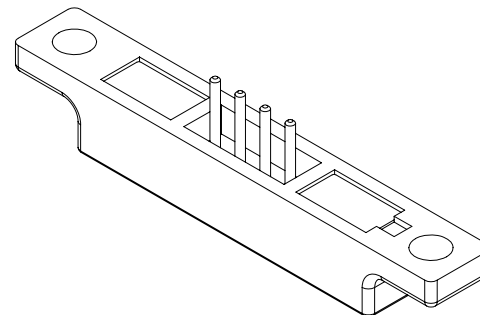
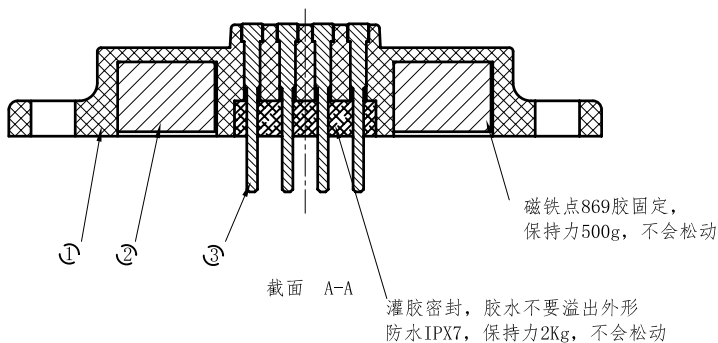
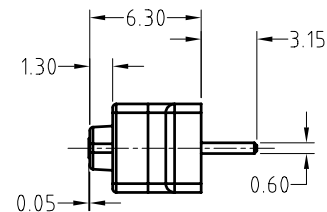
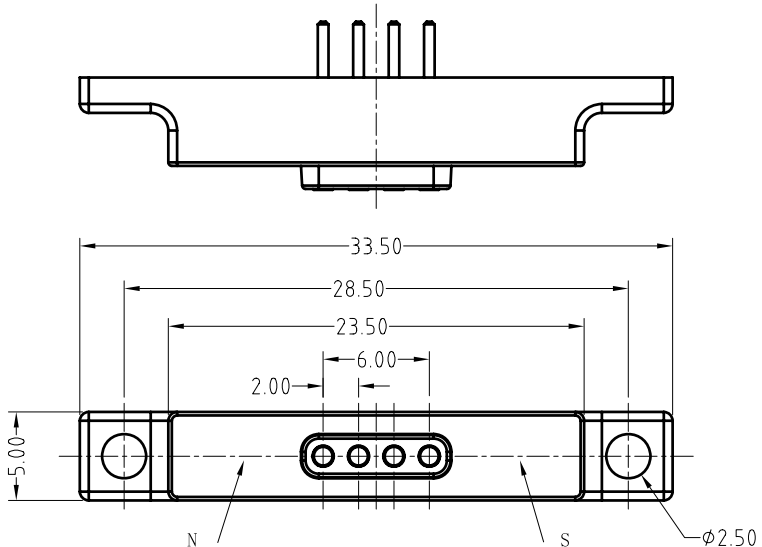
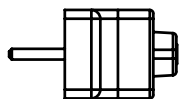


Note:<注意>
 Mechanical:<机械性能>
 .Mechanical Life : 50,000 cycles
 <机械寿命: 50000次>
 Electrical:<电气性能>
 .Rated current & voltage: DC 12V, 2A Max.
 <额定电压, 电流: DC 12V, 2A>
 .When the current is greater than 1A then need to
 increase the time delay circuit(3 second)
 100% open & short test.
 <100%导通, 短路测试>
 专利号: 见CFE产品专利说明



Approve Sign



4			
3	Pin plating 0.125um Au <Pin针 电镀金0.125um>	0100018-1005	1
2	N48 NdFeB Magnet plating Ni-Cu-Ni <N48 钕铁硼磁铁 表面镀镍铜镍>	0200018-3100	2
1	Black HTN UL94 V-0 <黑色 HTN UL94 V-0>	0300046-2002	1
序号 <NO.>	规格 <Specification>	料号 <P/N>	数量 <Qty>

ECN(DCN) NO.	REV	DATE	DESCRIPTION
	D0	2016.07.30	NEW

SCALE	10:1	UNIT:mm	THIS DOCUMENT IS THE SOLE PROPERTY OF CFE CORPORATION CO.,LTD., AND SHOULD NOT BE USED IN WHOLE OR IN PART WITHOUT PRIOR WRITTEN PERMISSION.
ANGEL	±2°	A4	
0~6	±0.10		SHEET: 1 of 1
6~30	±0.20	DRAW	
30~150	±0.30	CHECK	
GENERAL TOLERANCE UNLESS OTHERWISE NOTED		APPRO	

东莞市川富电子有限公司 CFE CORPORATION CO.,LTD.	
PART NO.	MMB000521-04A1A0
FILE NAME	MXB0005
TITLE.	Magnetic connector/磁吸连接器