

Note:<注意>

Electrical:<电气性能>

.Rated current & voltage: DC 5V, 2A .

<额定电压, 电流: DC 5V, 2A>

.Contact resistance: 50 milliohm Max.

<接触阻抗: 50 milliohm Max.>

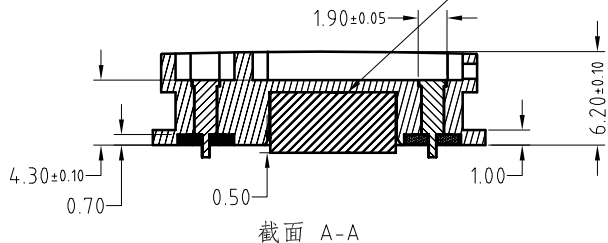
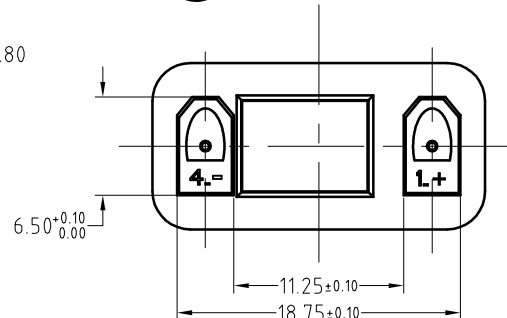
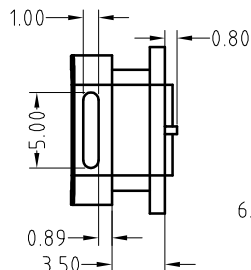
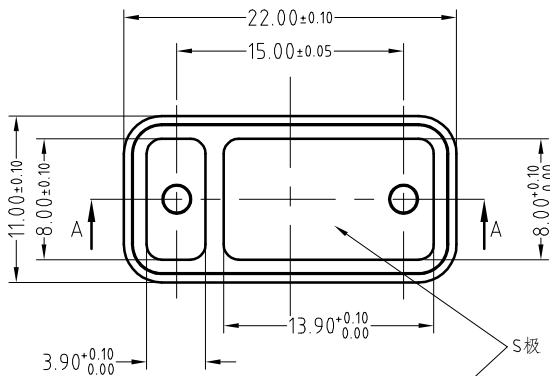
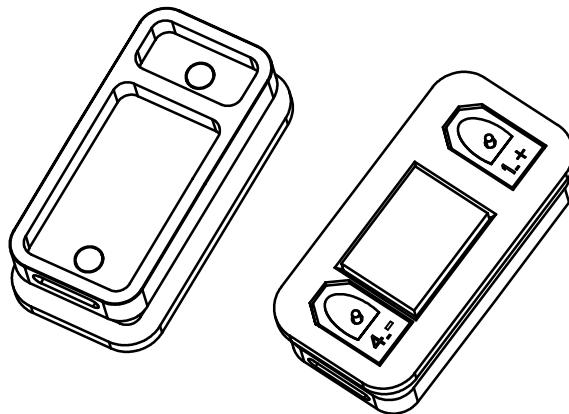
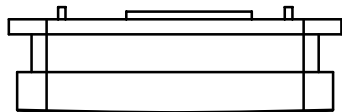
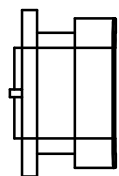
100% open & short test.

<100%导通,短路测试>

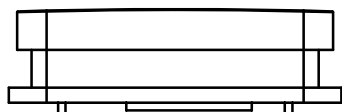
专利号: ZL2014 2 0620498.8



Approve Sign



WIRE→CONN
Vcc_+ → 1_+
GND_- → 4_-



SCALE	10:1	UNIT:mm	THIS DOCUMENT IS THE SOLE PROPERTY OF CFE CORPORATION CO.,LTD., AND SHOULD NOT BE USED IN WHOLE OR IN PART WITHOUT PRIOR WRITTEN PERMISSION.
ANGEL	±2°	A4	
0~6	±0.10		SHEET: 1 of 1
6~30	±0.20	DRAW	
30~150	±0.30	CHECK	
GENERAL TOLERANCE UNLESS OTHERWISE NOTED		APPRO	

CFE 东莞市川富电子有限公司 CFE CORPORATION CO.,LTD.

PART NO. M-BP73211-02150H0B

FILE NAME BP732XX

TITLE. Magnetic Cable Connector

ECN(DCN) NO.	REV	DATE	DESCRIPTION
	D0	2016.07.22	NEW